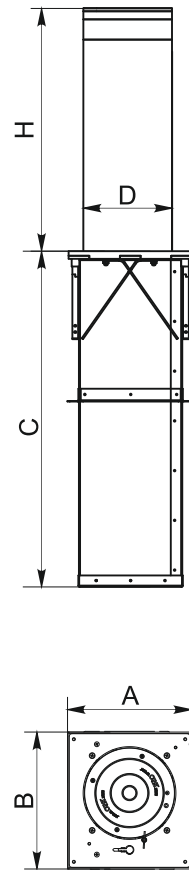
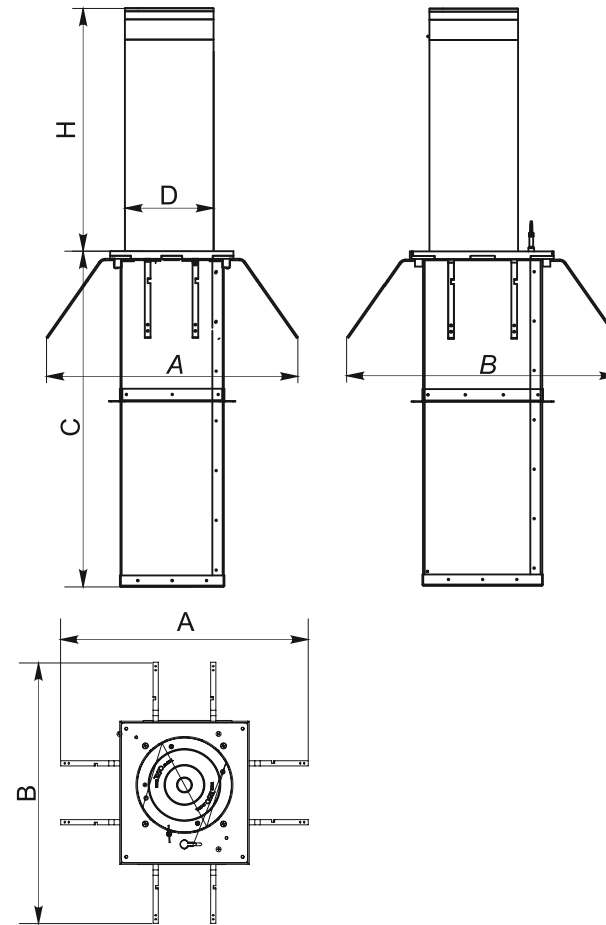


**Overall dimensions of the bollard with lowered foundation anchors**



**Overall dimensions of the bollard with raised foundation anchors**



Model	RB343-60	RB343-61	RB343-63	RB343-64
Drive	Hydraulic (HPU)			
Tube diameter (D), mm	220	273	220	273
Tube height (H), mm	600		800	
Foundation case dimensions, mm				
• AxBxC with lowered anchors	330x380x878	374x413x878	330x380x1078	374x413x1078
• AxBxC with raised anchors	671x721x878	715x754x878	671x721x1078	715x754x1078



**Semi-automatic traffic bollards (gas-spring)**

[www.tiso.global](http://www.tiso.global)