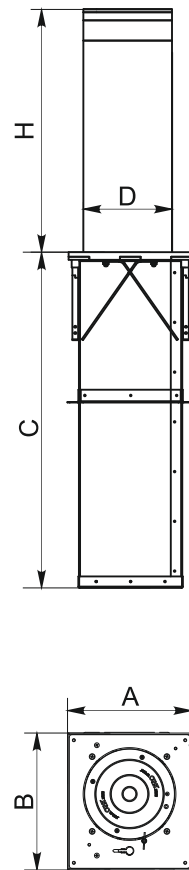
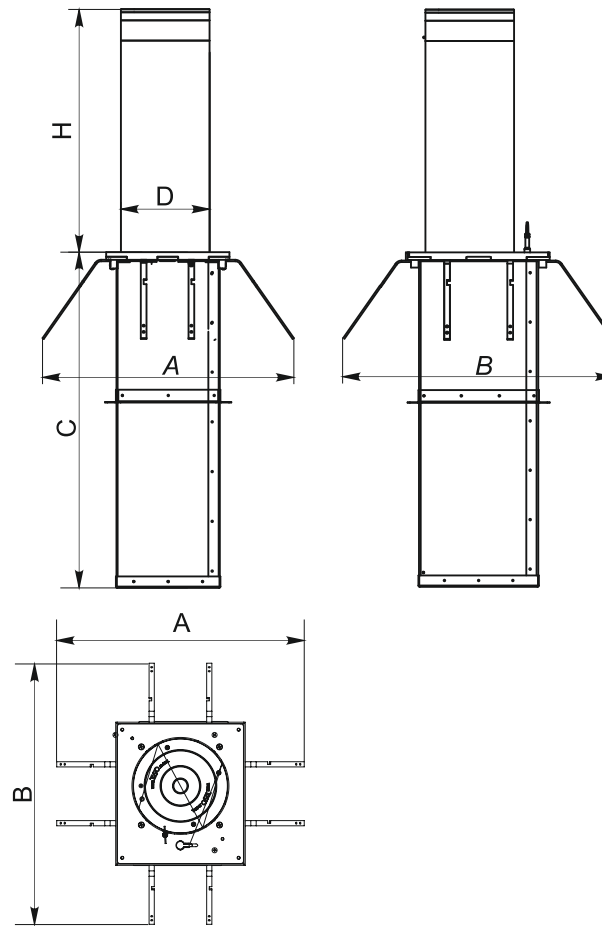


Overall dimensions of the bollard with lowered foundation anchors



Overall dimensions of the bollard with raised foundation anchors



Model	RB343-03	RB343-01	RB343-02	RB343-06	RB343-04	RB343-05
Drive	Hydraulic (HPU)					
Tube diameter (D), mm	114	220	273	114	220	273
Tube height (H), mm	600			800		
Foundation case dimensions, mm						
• AxBxC with lowered anchors	270x310x878	330x380x878	374x413x878	270x310x1078	330x380x1078	374x413x1078
• AxBxC with raised anchors	610x650x878	671x721x878	715x754x878	610x650x1078	671x721x1078	715x754x1078



Semi-automatic traffic bollards (drill-drive)

www.tiso.global