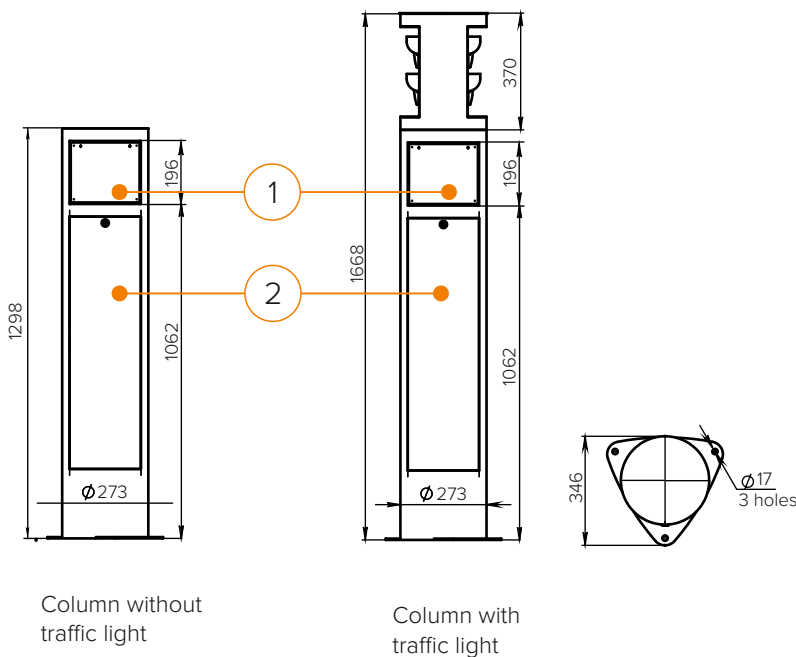


TRAFFIC COLUMN

Traffic column is used for access control to the protected territory. A column with traffic light gives a sign about permitting or prohibiting access to the location. If the light is red, then the road blocker/bollard is in a raised position. If the green light is on, then the road blocker/bollard is lowered and access to the territory is allowed.

The road blocker/bollard control can be carried out through the column. Traffic column has a special panel where almost any access control system up on your request can be installed. And the driver arriving at the checkpoint can open access having special authority to do so.



1 PANEL FOR ACS INTEGRATION

- passage counter
- RFID/Proximity/BioMetric readers
- coin acceptor
- push button
- barcode/QR-code reader
- LCD display etc

2 ADDITIONAL BOX FOR

- ACS Controller
- PLC Controller
- control unit for bollards and road blockers with internal hydraulic unit etc.





Column without traffic light



Column with traffic light

TRAFFIC LIGHT

Vertical traffic signal has two lights, facing the oncoming traffic, red on top and green below that.

- LED indicators have a bright color, it helps to see the traffic signal in a long distance.
- In case the road blocking equipment is in the lowered position the green LED lights up / in the raised position the red LED lights up.
- Sound alarm can be integrated in the traffic light up on the request.

Technical Specs (for traffic light):

Tube diameter, mm	273
Plate width , mm	346
Height, mm	1668 (with traffic light) 1298 (without traffic light)
LED light module diameter, mm	95
Protection level	IP 54

Electrical Specifications (for traffic light):

Voltage:

- from DC source 12 V (0,5 A)

‘ TISO TRAFFIC COLUMN
INSTALLED AS AN OPTION
IN SET WITH
BOLLARDS, SPEEDBUMPS,
ROAD BLOCKERS AND
TIREKILLERS’

PANEL FOR ACS INTEGRATION

The panel is placed under the traffic light at comfortable height so the driver can conveniently use the access control system without leaving the car.

Any access control systems upon request could be integrated into the traffic column: passage counter, RFID/Proximity/BioMetric readers, coin acceptor, push button, barcode and QR-code reader, LCD display etc.



www.tiso.global
+380 (44) 291-21-11
e-mail: sales@tiso.global

